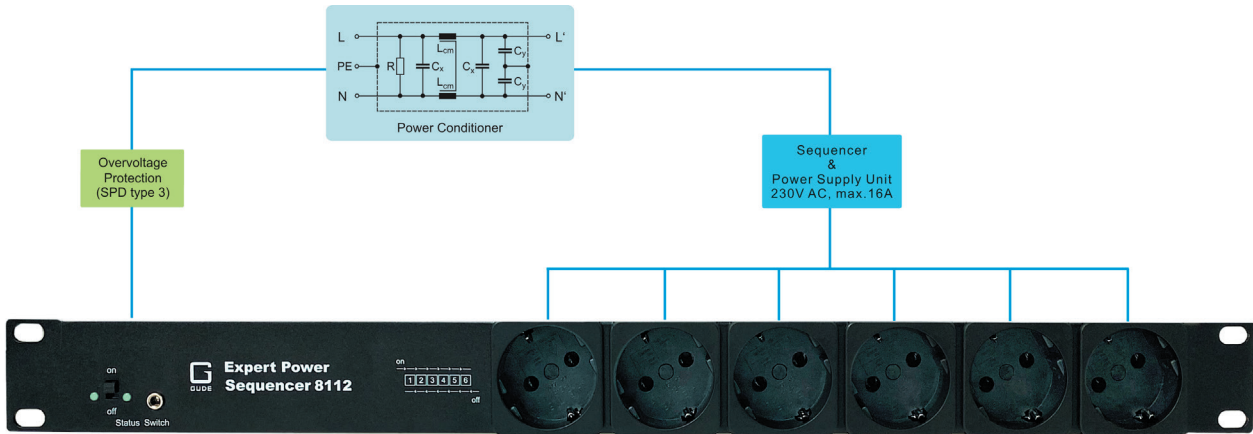


## Layout of Expert Power Sequencer 8112-2 / 8112-4 (simplified)



This layout is valid for **Expert Power Sequencer 8112-4** and also **8112-2** with 6 IEC C13 instead of safety sockets on the front panel.

### Ordering Information

Order Code	Product	Front connectors	Features
8112-2	Expert Power Sequencer 8112-2	6 x IEC C13, 1 jack connector for external pushbutton	Power supply safety socket type F (CEE 7/4, max. 16 A, 230 V), cable length 2 m <b>Overvoltage protection type 3, power conditioner,</b> Dimensions LxHxD: 43.9 x 4.4 x 11.2 cm (without brackets), 1 RU
8112-4	Expert Power Sequencer 8112-4	6 x safety socket type F (CEE 7/3), 1 jack connector for external pushbutton	Power supply safety socket type F (CEE 7/4, max. 16 A, 230 V), cable length 2 m <b>Overvoltage protection type 3, power conditioner,</b> Dimensions LxHxD: 43.9 x 4.4 x 11.2 cm (without brackets), 1 RU
Order Code	Accessory	Feature	
7960	Jack Plug Adapter 7960	3,5 mm TRS plug to 3 pole screw terminal adapter for connection of I/O contacts or external pushbutton	
0871	Desk/Wall Bracket 0871	Accessories for mounting a 19-inch device under a tabletop or on a wall	