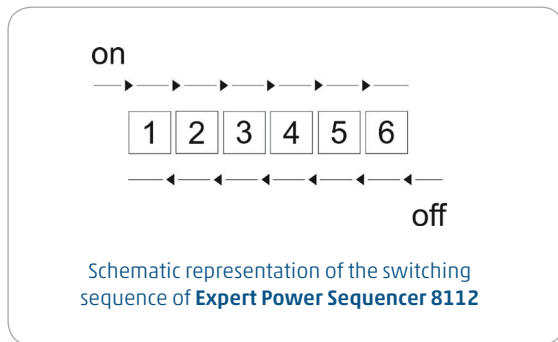


## Switched Power Distribution Unit with controlled switching sequence

Increased operational safety through effective prevention of critical inrush currents



### Sequential switching of 6 consumers

The PDUs of the **Expert Power Sequencer 8112 Series** have 6 load outputs IEC C13 or 6 load outputs with safety socket on the front panel. Connected devices can be switched on and off sequentially by an automatic switching routine. Operating the switch on the front panel triggers a 15-second switching sequence, which switches the individual power ports one after the other with a 3 second delay. This delay interval between the switching processes can be set individually.

**Expert Power Sequencer 8112** avoids the typical voltage peaks caused by high inrush currents when several loads are switched on simultaneously. Even more important: A possible triggering of the upstream fuse in the supply line is effectively prevented. Moreover, sequential switching avoids that sudden current changes in the supply line lead to disturbances in the circuit.

An application example can be found in AV installations including an amplifier: This audio appliance is connected to the last load socket of **Expert Power Sequencer 8112**. The PDU now ensures that the amplifier is switched on last after the other components. When switching off in reverse order, it is switched on first before the other components. The popping noises that otherwise occur, which can not only be unpleasant but can also damage speakers and amplifiers, are now a thing of the past.



**Expert Power Sequencer 8112-1** and **8112-2** with 6 IEC C13 connectors on front panel

### Benefits

- ▶ Increased operational safety by **avoiding excessive inrush currents**, e.g. in amplifiers, media technology installations and LED walls
- ▶ **Saving electricity costs** by switching off devices with high standby consumption
- ▶ Increased flexibility: The jack connector allows the connection of I/O contacts or external buttons and allows **control even outside the rack**
- ▶ **Prevention of defects on the device and on connected consumers** by integrated overvoltage protection type 3 (SPD according to EN 61643-1) for Expert Power Sequencer 8112-2 and 8112-4
- ▶ **Prevention of noise from loudspeakers or amplifiers** through integrated mains filter for Expert Power Sequencer 8112-2 and 8112-4

# Expert Power Sequencer 8112 Series



Increased operational safety through effective prevention of critical inrush currents

## Features

- 6 Power Ports switchable in a controlled sequence, triggered by slide switch on the device or by external push button
- Sequential switching on and off of connected loads with a delay of 3s between adjacent outputs
- This switching time interval can be individually configured for each outlet
- Peaks of inrush currents during simultaneous switching operations and tripping of upstream fuses are prevented
- Integrated type 3 surge protection (SPD according to EN61643-1) prevents damage to the device and connected loads
- Jack connector allows connection of I/O contacts and external switches and allows remote control of the switching routine
- Integrated mains filter prevents interference currents and thus eliminates loss of signal quality for connected devices such as loudspeakers, amplifiers and beamers
- Low internal power consumption
- Developed and manufactured in Germany

Also available with integrated mains filter and overvoltage protection type 3



Operators of audio racks profit from the switching sequence of **Expert Power Sequencer 8112**



**Expert Power Sequencer 8112-3 and 8112-4** with 6 safety sockets on front panel

Order Code	Product	Front connectors	Features
8112-1	Expert Power Sequencer 8112-1	6 x IEC C13, 1 jack connector for external pushbutton	Power supply safety socket type type E/F (CEE 7/7, max. 16 A, 230 V), cable length 2 m, dimensions LxHxD: 43.9 x 4.4 x 6.2 cm (without brackets), 1 RU
8112-2	Expert Power Sequencer 8112-2	6 x IEC C13, 1 jack connector for external pushbutton	Power supply safety socket type E/F (CEE 7/7, max. 16 A, 230 V), cable length 2 m, <b>overvoltage protection type 3, mains filter</b> , dimensions LxHxD: 43.9 x 4.4 x 11.2 cm (without brackets), 1 RU
8112-3	Expert Power Sequencer 8112-3	6 x safety socket type F (CEE 7/3), 1 jack connector for external pushbutton	Power supply safety socket type E/F (CEE 7/7, max. 16 A, 230 V), cable length 2 m, dimensions LxHxD: 43.9 x 4.4 x 6.2 cm (without brackets), 1 RU
8112-4	Expert Power Sequencer 8112-4	6 x safety socket type F (CEE 7/3), 1 jack connector for external pushbutton	Power supply safety socket type E/F (CEE 7/7, max. 16 A, 230 V), cable length 2 m, <b>overvoltage protection type 3, mains filter</b> , dimensions LxHxD: 43.9 x 4.4 x 11.2 cm (without brackets), 1 RU

Order Code	Accessory	Feature
7960	Jack Plug Adapter 7960	3,5 mm TRS plug to 3 pole screw terminal adapter for connection of external push-button or I/O contacts
0871	Desk/Wall Bracket 0871	Accessories for mounting a 19-inch device under a tabletop or on a wall

