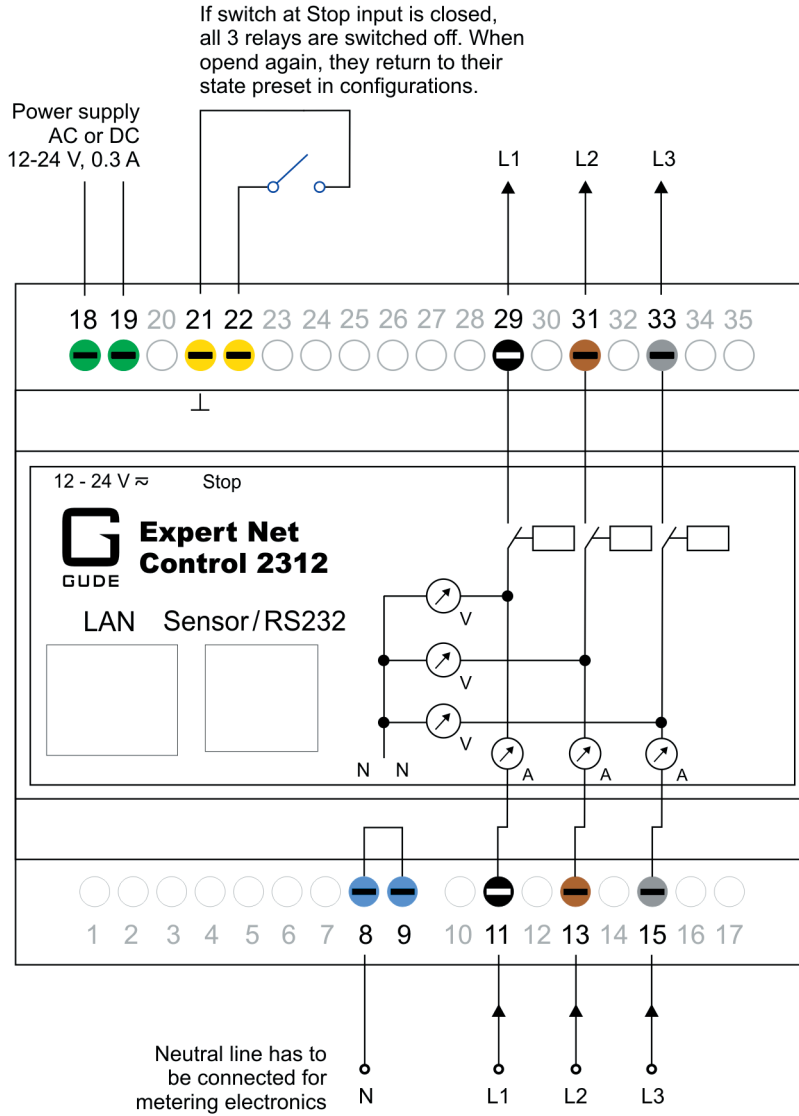


# Expert Net Control 2312-1

# Connection Block Diagram

Remote I/O System with 3 switchable relay outputs for DIN-rail mounting



Order code	Product	Feature	Power supply
2312-1	Expert Net Control 2312-1	3 switchable outputs, 1 sensor or RS232 interface, 3-phase metering of electrical dimensions	External power supply unit 12-24 V AC/DC
7001	Temperature Sensor 7001	-20°C to +80°C	
7002	Temp./Humidity Sensor 7002	-20°C to +80°C / 0-90% humidity	
7902	DIN Rail Power Supply Unit 7902	Power supply unit for DIN rail, 230 VAC / 12 VDC 1250 mA (not included in delivery)	
7990	RS232 Adapter Cable 7990	Connector cable for RS232 to mini-DIN 6, length ca. 2.3 m	